

- NOTES:**
- ALL WELDS SHALL BE IN COMPLIANCE WITH ANSI B31.3, PETROLEUM REFINERY PIPING CODE, SECTION IX ASME BOILER & PRESSURE VESSEL CODE & API RP14E, DESIGN & INSTALLATION OF OFFSHORE PRODUCTION PLATFORM PIPING SYSTEMS.
  - DESIGNATES A PIPING SPEC. BREAK.
  - THIS DRAWING INDICATES COMPONENTS NECESSARY FOR SAFETY SYSTEM CONTROL & SHUTDOWN. THE MAJORITY OF MANUAL BLOCK VALVES ARE NOT SHOWN.
  - ⊙ INDICATES DEVICES SHOWN ON THE SAFETY ANALYSIS TABLES (SAT) WHICH ARE NOT REQUIRED AS DEFINED BY THE SAFETY ANALYSIS CHECKLIST (SAC) IN API RP14C.
  - CONTROL DEVICES GENERALLY ARE SHOWN ONLY WHEN RELEVANT TO THE SAFETY ANALYSIS.
  - ALL PIPING DESIGN MATERIALS & FABRICATION ARE PERFORMED IN ACCORDANCE WITH API RP14E, DESIGN & INSTALLATION OF OFF SHORE PRODUCTION PLATFORM PIPING SYSTEMS.
  - FUSIBLE PLUGS (TSE) ARE INSTALLED IN ACCORDANCE WITH GUIDELINES IN API RP14C, TABLE C1.

- ALL WELDS SHALL BE IN COMPLIANCE WITH ANSI B31.3, PETROLEUM REFINERY PIPING CODE, SECTION IX ASME BOILER & PRESSURE VESSEL CODE & API RP14E, DESIGN & INSTALLATION OF OFFSHORE PRODUCTION PLATFORM PIPING SYSTEMS.
- DESIGNATES A PIPING SPEC. BREAK.
- THIS DRAWING INDICATES COMPONENTS NECESSARY FOR SAFETY SYSTEM CONTROL & SHUTDOWN. THE MAJORITY OF MANUAL BLOCK VALVES ARE NOT SHOWN.
- ⊙ INDICATES DEVICES SHOWN ON THE SAFETY ANALYSIS TABLES (SAT) WHICH ARE NOT REQUIRED AS DEFINED BY THE SAFETY ANALYSIS CHECKLIST (SAC) IN API RP14C.
- CONTROL DEVICES GENERALLY ARE SHOWN ONLY WHEN RELEVANT TO THE SAFETY ANALYSIS.
- ALL PIPING DESIGN MATERIALS & FABRICATION ARE PERFORMED IN ACCORDANCE WITH API RP14E, DESIGN & INSTALLATION OF OFF SHORE PRODUCTION PLATFORM PIPING SYSTEMS.
- FUSIBLE PLUGS (TSE) ARE INSTALLED IN ACCORDANCE WITH GUIDELINES IN API RP14C, TABLE C1.

REVISED BY:  
**CHAPMAN CONSULTING, INC.**  
 PROFESSIONALS SERVING THE PETROLEUM INDUSTRY  
 PH: (337) 896-1721 FX: (337) 896-1731

FEB 14 2008  
 J.R. Chapman  
**L. RANDY CHAPMAN**  
 REG. No. 18073  
 REGISTERED PROFESSIONAL ENGINEER  
 MECHANICAL ENGINEERING

REV.	DATE	DESCRIPTION	CHK'D	APP'D	REV.	DATE	DESCRIPTION	CHK'D	APP'D
7	10/31/02	SAC'D LSLs ON MBF-0510 & 0520	LRC	LRC	0	11/94	ORIGINAL		
8	6/23/03	SAC OUT SAFETY DEVICES ON BULK SEP.	LRC	LRC	1	5/14/96	LOWER W.P. WTR. TREATER	API	CS
9	8/30/04	AS BUILT	BJW	LRC	2	12/30/99	PLACE BULK SEPARATOR BACK IN SERVICE	API	RG
10	10/11/04	MODIFY METER SYSTEMS	TWR	LRC	3	6/7/00	FIELD VERIFIED	API	RG
11	2/6/08	F.E. REDUCTION/BLDG. & EQUIP O.O.S.	BJW	LRC	4	8/1/00	CHANGE MBM-0300 TO ABM-0300	API	RG
					5	12/04/00	REPLACE SUMP TANK/REMOVE PSL FROM PBH-0820	API	RG
					6	01/25/01	ADD. BLANKET GAS TO MBJ-0550	API	RG

**MERIT ENERGY COMPANY**

SAFETY FLOW DIAGRAM  
 MATAGORDA ISLAND BLOCK 651  
 "A" PLATFORM  
 OCS-G-6045

DRAWING NUMBER: MI-651-A-SF-01  
 SHEET: 1 OF 1



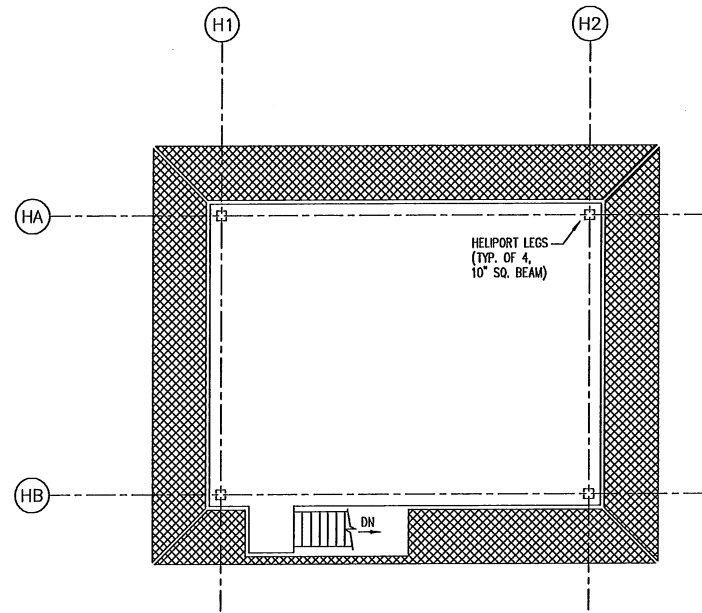




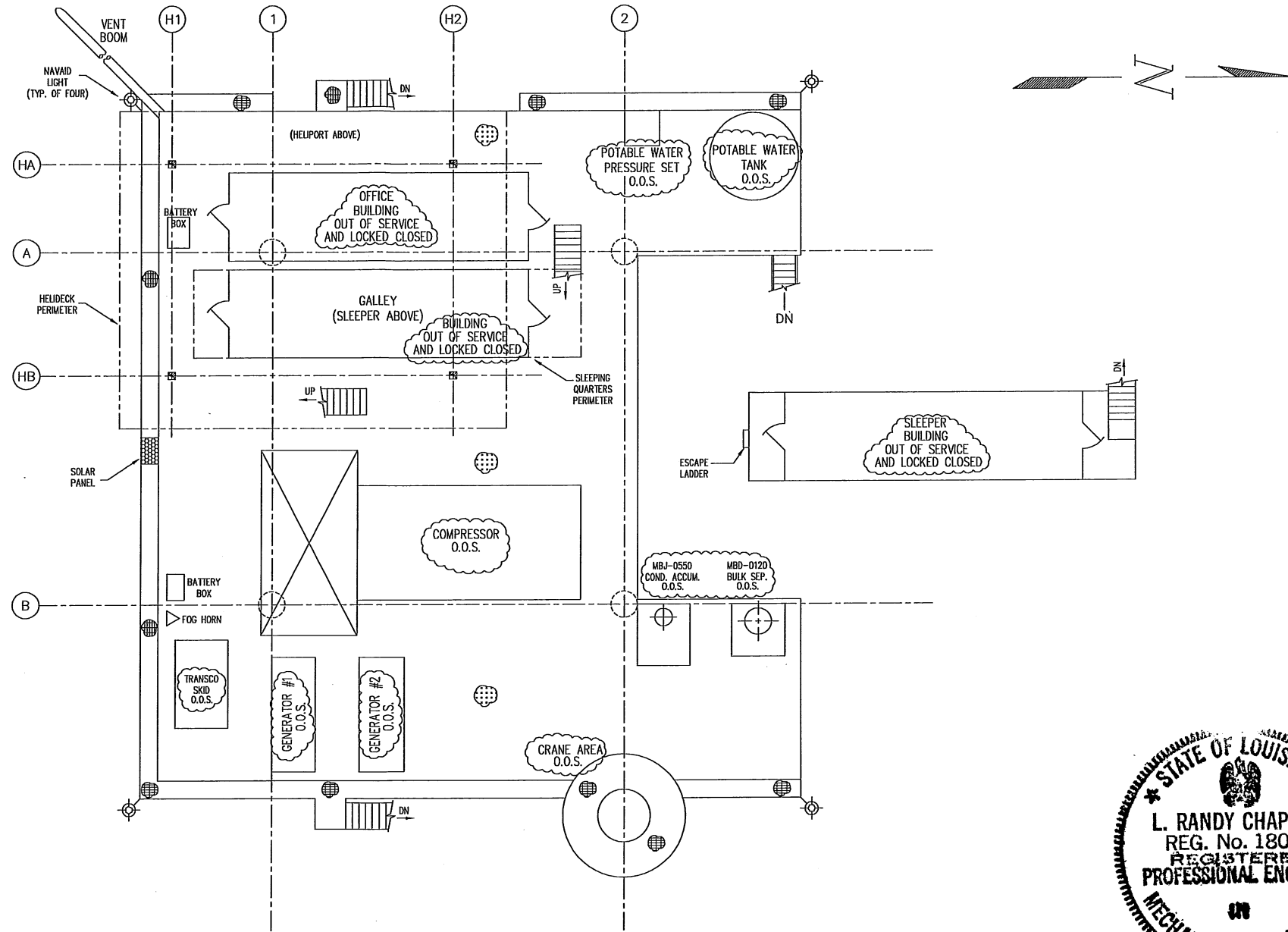




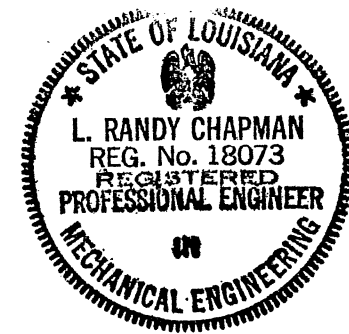




HELIPORT



MAIN DECK



FEB 14 2008

*L. Randy Chapman*

REVISED BY:

**CHAPMAN CONSULTING, INC.**  
PROFESSIONALS SERVING THE PETROLEUM INDUSTRY  
PH: (337) 896-1721 FX: (337) 896-1731

Rev.	Date	Description
2	2/6/08	F.E. REDUCTION/BLDG. & EQUIP O.O.S.
1	12/30/99	PLACE BULK SEPARATOR BACK IN SERVICE

AMERICAN PNEUMATICS, INC.

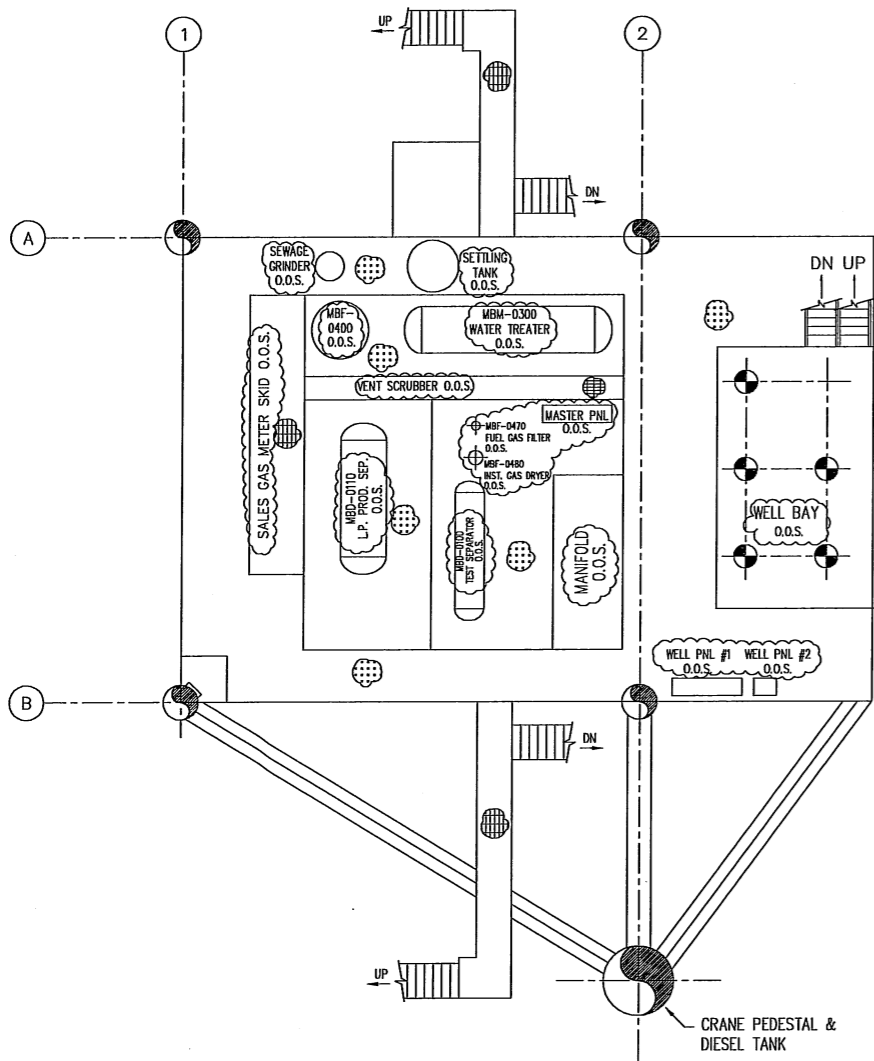


218 Hector Connolly Rd.  
Carencro, LA 70520  
Phone: (318) 896-9090  
Fax: (318) 896-9004

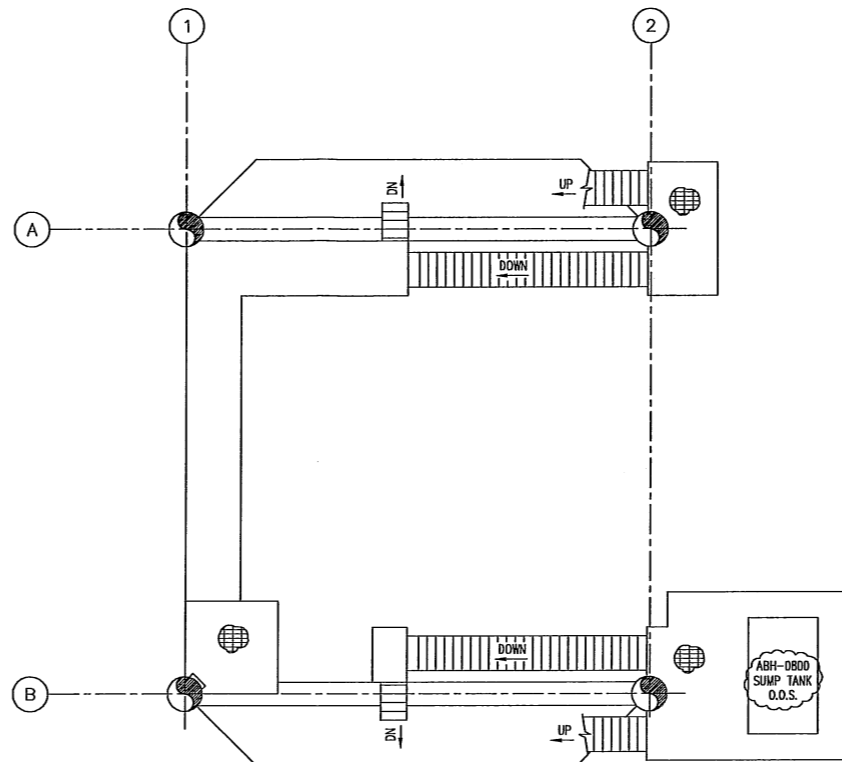
Client: **MERIT ENERGY COMPANY**

Design By: API	Drawn By: API	Dwg Date: 12/30/99	Scale: 1/8"=1'	Job No. 5318-TDS	Dwg No. MI-651-A-EL-01	Sheet: 1 of 2
----------------	---------------	--------------------	----------------	------------------	------------------------	---------------

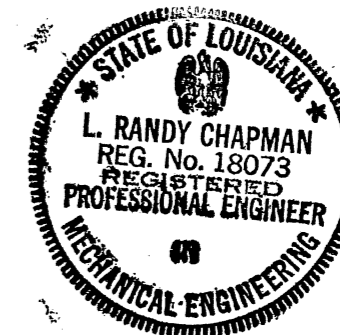
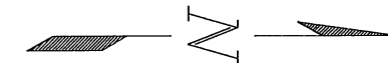
Title: EQUIPMENT LOCATION  
MATAGORDA ISLAND BLOCK 651  
PLATFORM "A"  
OCS-G-6045



CELLAR DECK



SUMP DECK, INTERMEDIATE LANDING, & BOAT LANDING



FEB 14 2008

*L. Randy Chapman*

REVISED BY:



**CHAPMAN CONSULTING, INC.**

PROFESSIONALS SERVING THE PETROLEUM INDUSTRY  
PH: (337) 896-1721 FX: (337) 896-1731

Rev.	Date:	Description:
2	2/6/08	F.E. REDUCTION/BLDG. & EQUIP O.O.S.
1	12/30/99	PLACE BULK SEPARATOR BACK IN SERVICE

**AMERICAN PNEUMATICS, INC.**



218 Hector Connolly Rd.  
Carencro, LA 70520  
Phone: (318) 896-9090  
Fax: (318) 896-9004

Client:

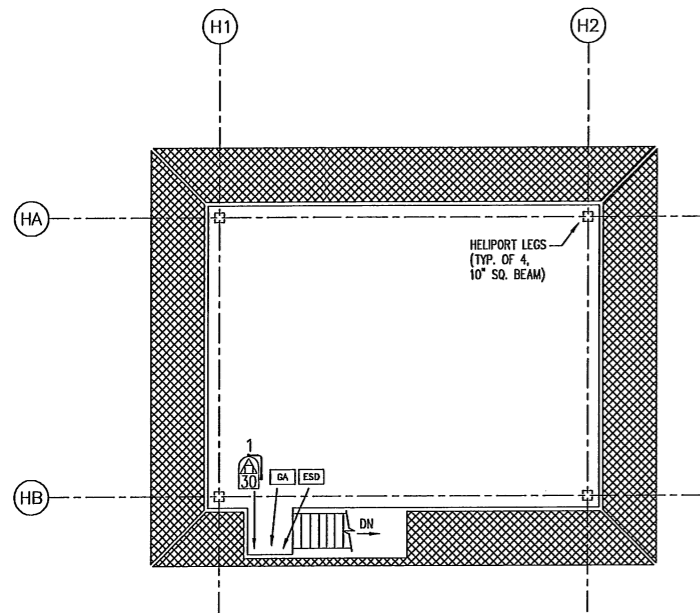


**MERIT ENERGY COMPANY**

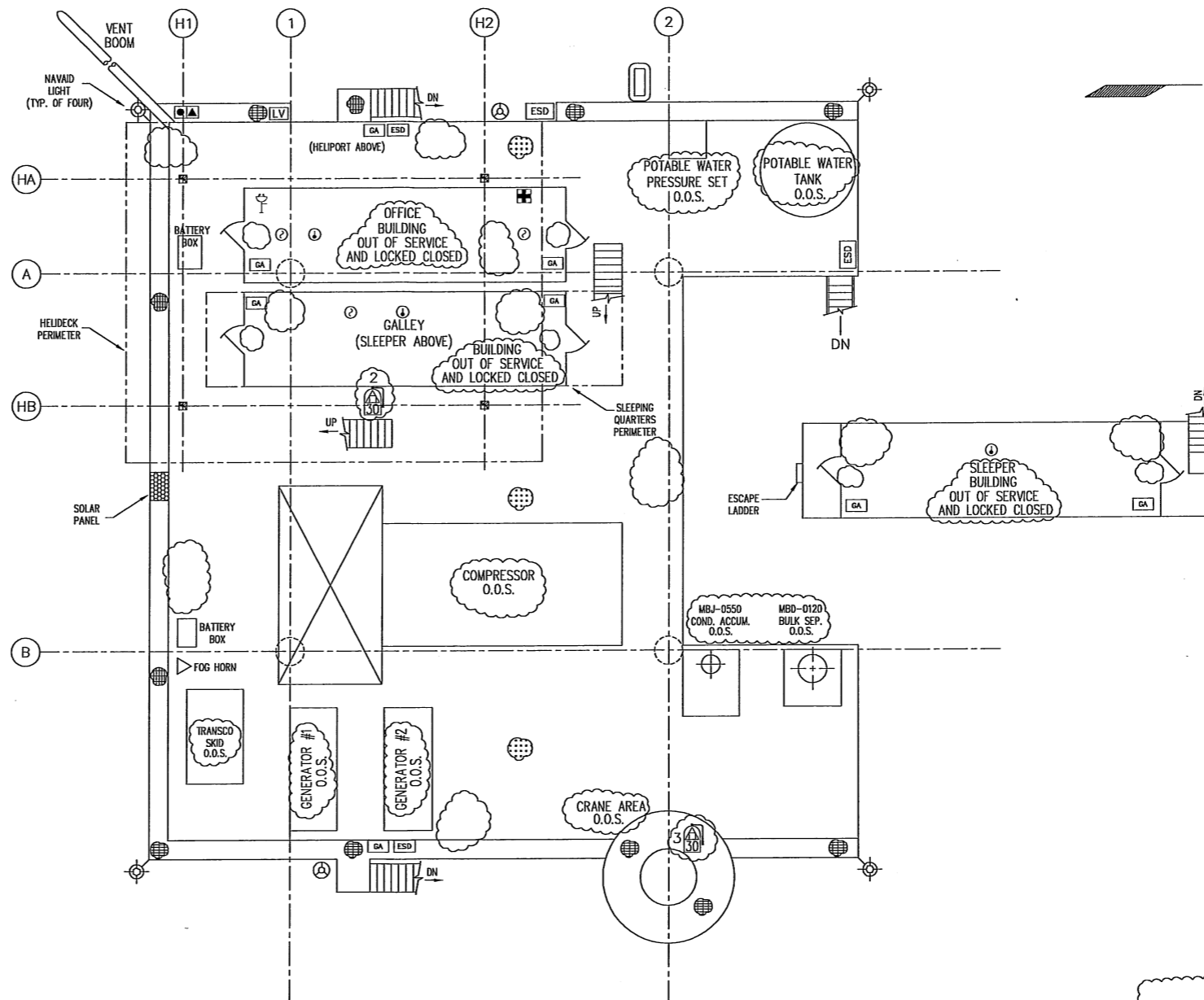
Title:

EQUIPMENT LOCATION  
MATAGORDA ISLAND BLOCK 651  
PLATFORM "A"  
OCS-G-6045

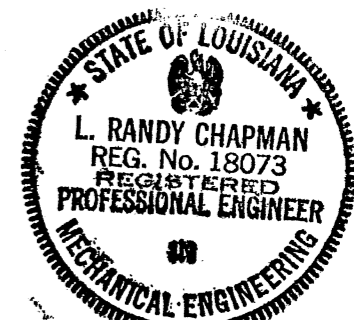
Design By:	Drawn By:	Dwg Date:	Scale:	Job No.	Dwg No.	Sheet:
	API	12/30/99	1/8"=1'	5318-TDS	MI-651-A-EL-02	2
						Of: 2



HELIPORT



MAIN DECK



FEB 14 2008

*L. Randy Chapman*

SYMBOL LEGEND

- LB = LOADING DRY CHEMICAL (BC) PORTABLE UNIT
- MANUAL ESD STATION
- THERMAL DETECTOR
- LIFE FLOAT W/LIGHT
- EYE WASH STATION
- CARBON DIOXIDE MANUAL SYSTEM ACTUATOR
- BOAT LOOP ESD STATION
- SMOKE DETECTOR
- LIFE VEST BOX
- GENERAL ALARM STATION
- LIFE RING W/LIGHT
- FIRST AID STATION

REVISED BY:

**CHAPMAN CONSULTING, INC.**  
PROFESSIONALS SERVING THE PETROLEUM INDUSTRY  
PH: (337) 896-1721 FX: (337) 896-1731

Rev.	Date	Description
3	2/6/08	F.E. REDUCTION/BLDG. & EQUIP O.O.S.
2	01/20/00	ADDITION OF ESD'S
1	12/30/99	PLACE BULK SEPARATOR BACK IN SERVICE

AMERICAN PNEUMATICS, INC.



218 Hector Connolly Rd.  
Carencro, LA 70520  
Phone: (318) 896-9090  
Fax: (318) 896-9004

Client:

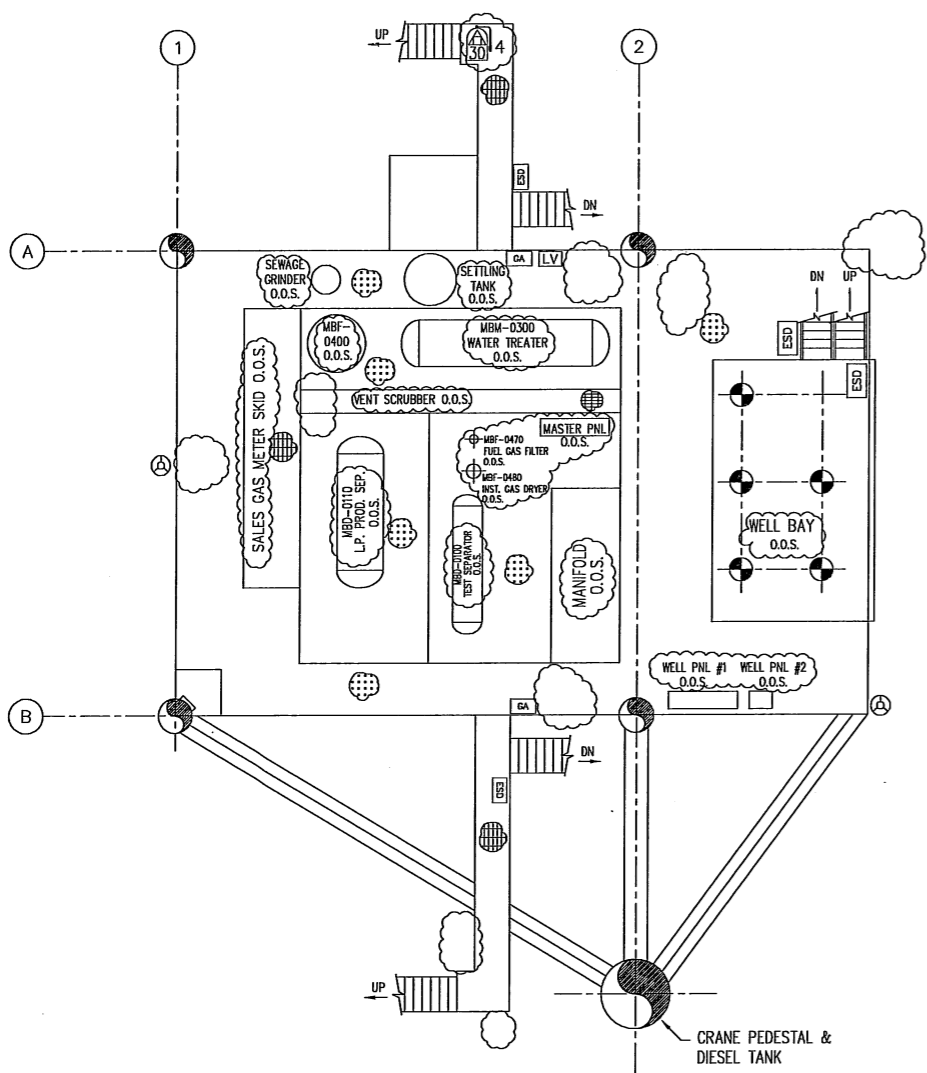


MERIT ENERGY COMPANY

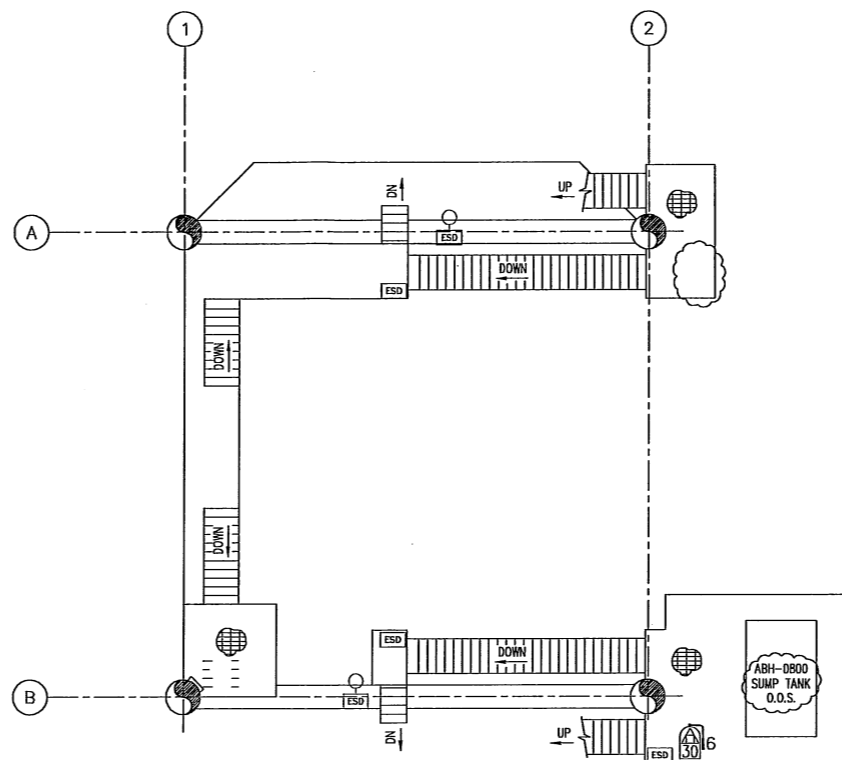
Title:

FIREFIGHTING & SAFETY EQUIPMENT LOCATION  
MATAGORDA ISLAND BLOCK 651-A  
OCS-G-6045

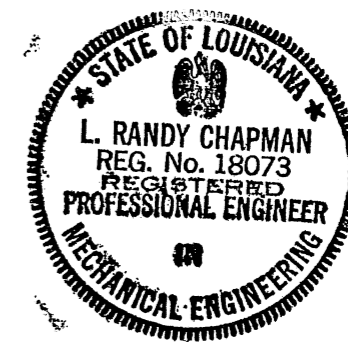
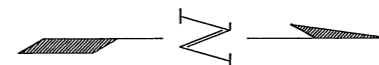
Design By:	Drawn By:	Dwg Date:	Scale:	Job No.:	Dwg No.:	Sheet:
	API	12/30/99	1/8"=1'	5318-TDS	MI-651-A-FF-01	1 of 2



CELLAR DECK



SUMP DECK, INTERMEDIATE LANDING, & BOAT LANDING



FEB 14 2008

*L. Randy Chapman*

**SYMBOL LEGEND**

- LB = LOADING DRY CHEMICAL (BC) PORTABLE UNIT
- MANUAL ESD STATION
- THERMAL DETECTOR
- LIFE FLOAT W/LIGHT
- EYE WASH STATION
- CARBON DIOXIDE MANUAL SYSTEM ACTUATOR
- BOAT LOOP ESD STATION
- SMOKE DETECTOR
- LIFE VEST BOX
- GENERAL ALARM STATION
- LIFE RING W/LIGHT
- FIRST AID STATION

REVISED BY:

**CHAPMAN CONSULTING, INC.**  
 PROFESSIONALS SERVING THE PETROLEUM INDUSTRY  
 PH: (337) 896-1721 FX: (337) 896-1731

Rev.	Date	Description
3	2/6/08	F.E. REDUCTION/BLDG. & EQUIP O.O.S.
2	01/20/00	ADDITION OF ESD'S
1	12/30/99	PLACE BULK SEPARATOR BACK IN SERVICE

**AMERICAN PNEUMATICS, INC.**



218 Hector Connolly Rd.  
 Carencro, LA 70520  
 Phone: (318) 896-9090  
 Fax: (318) 896-9004

Client:

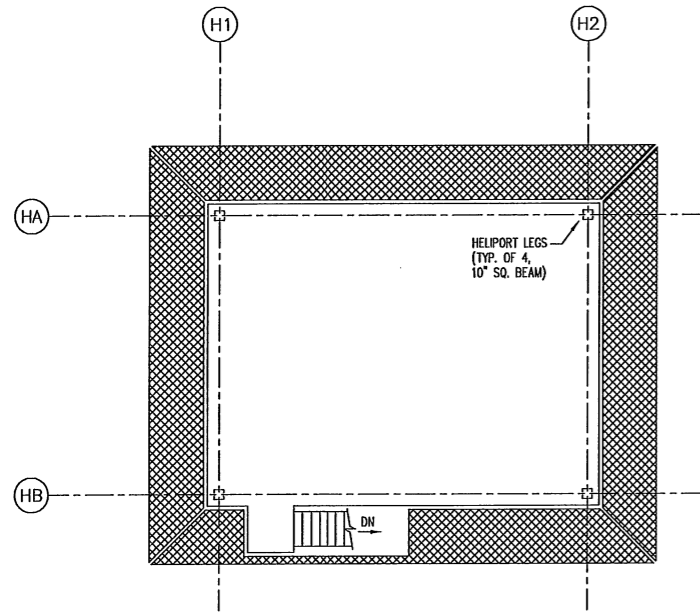
**MERIT ENERGY COMPANY**

Design By:	Drawn By:	Dwg Date:	Scale:	Job No.:	Dwg No.:	Sheet:
	API	12/30/99	1/8"=1'	5318-TDS	MI-651-A-FF-02	2

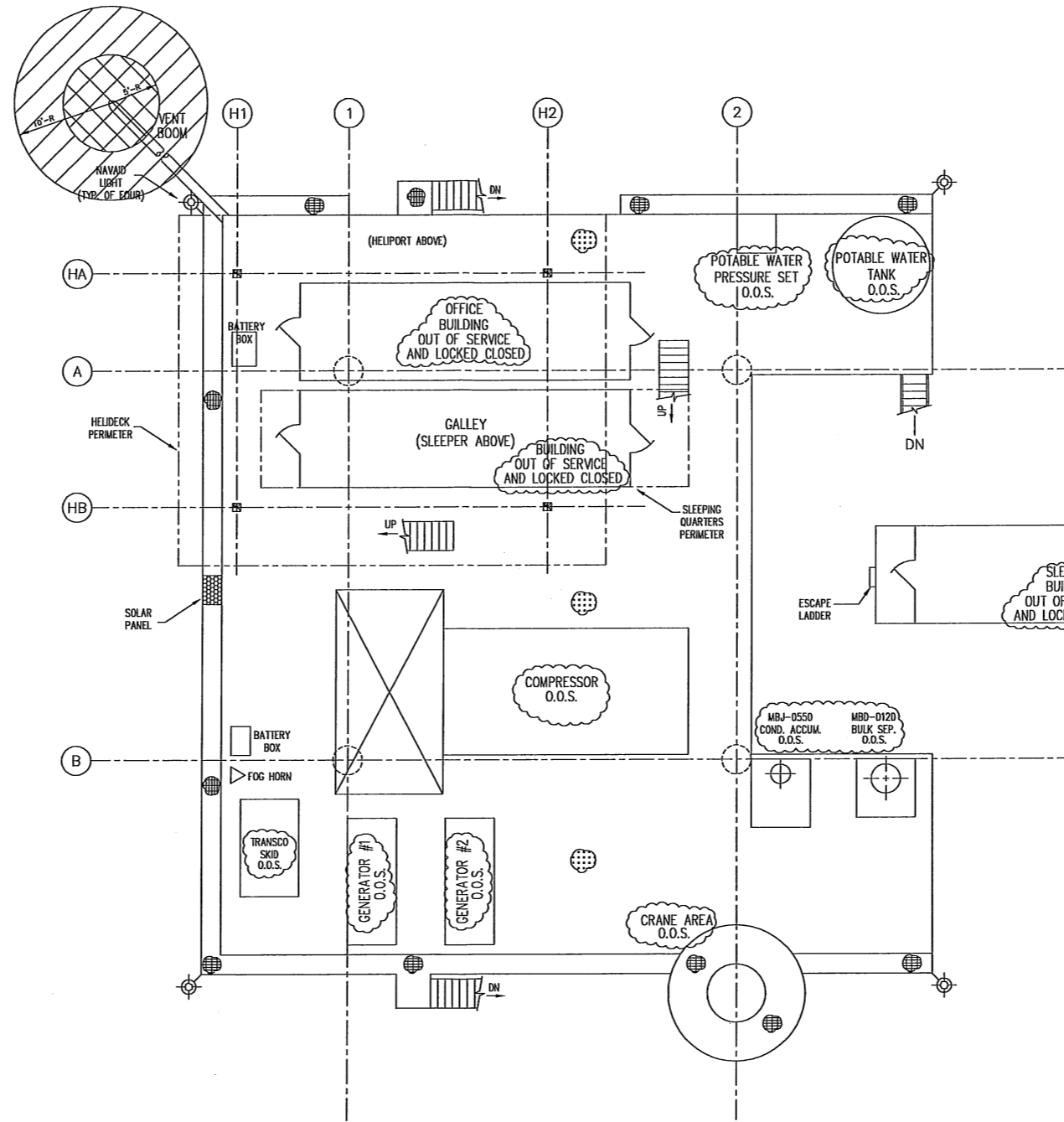
Title:

FIREFIGHTING & SAFETY EQUIPMENT LOCATION  
 MATAGORDA ISLAND BLOCK 651-A  
 OCS-G-6045

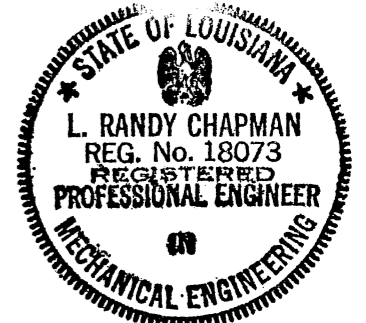
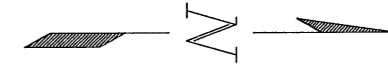
NOTE: THIS DRAWING IS THE EXCLUSIVE PROPERTY OF AMERICAN PNEUMATICS, INC. ITS ACCEPTANCE CONSTITUTES AN AGREEMENT THAT IT SHALL BE TREATED AS A STRICTLY CONFIDENTIAL DOCUMENT AND IS NOT TO BE COMMUNICATED, DISCLOSED, OR COPIED WITHOUT THE EXPRESSED PRIOR WRITTEN CONSENT OF AMERICAN PNEUMATICS, INC. REPRODUCTION OF THIS PRINT OR UNAUTHORIZED USE OF PATENTED OR PATENTABLE FEATURES DISCLOSED HEREON IS PROHIBITED.



HELIPORT

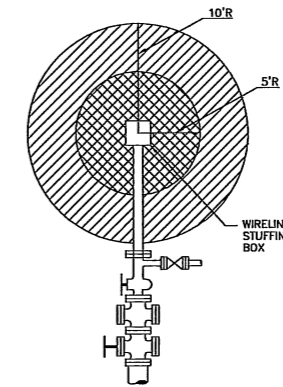


MAIN DECK

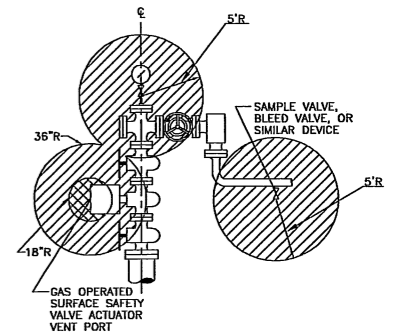


FEB 14 2008

*L. Randy Chapman*



WELL W/WIRELINE WORK DETAIL  
PER API RP 500, SEC. B.5.a.(7)(a) & B.5.a.(7)(b)



FLOWLINE WELL DETAIL  
PER API RP 500, SEC. B.5.a.(1) & B.14.d.(2)

LEGEND

- CLASS I, GROUP D, DIVISION 1
- CLASS I, GROUP D, DIVISION 2
- UNCLASSIFIED AREA

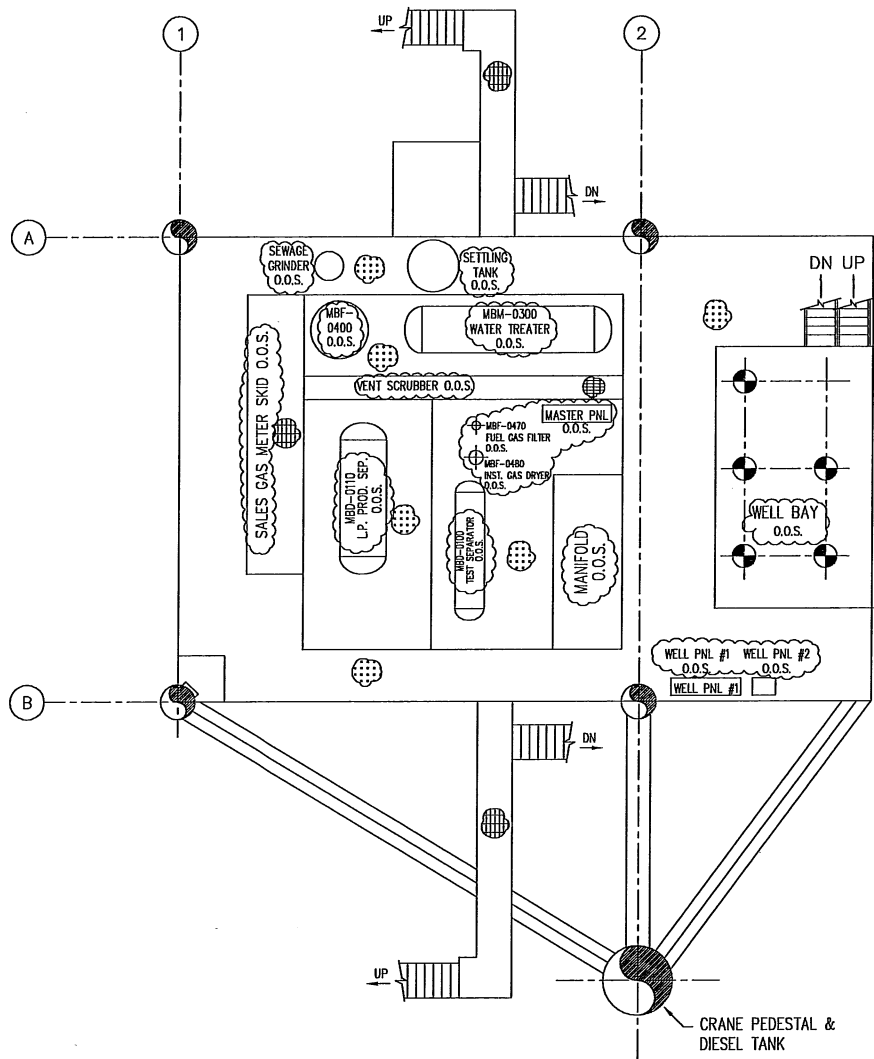
REVISED BY:  
**CHAPMAN CONSULTING, INC.**  
PROFESSIONALS SERVING THE PETROLEUM INDUSTRY  
PH: (337) 896-1721 FX: (337) 896-1731

Rev.	Date:	Description:
2	2/6/08	F.E. REDUCTION/BLDG. & EQUIP O.O.S.
1	12/30/99	PLACE BULK SEPARATOR BACK IN SERVICE

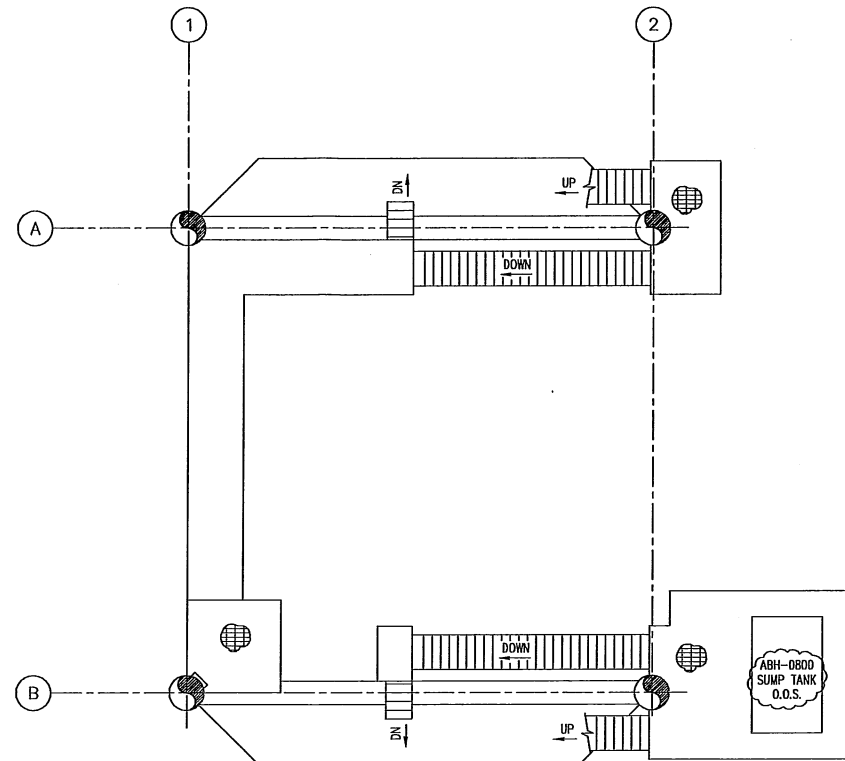
**AMERICAN PNEUMATICS, INC.**  
218 Hector Connolly Rd.  
Carencro, LA 70520  
Phone: (318) 896-9090  
Fax: (318) 896-9004

Client:  
**MERIT ENERGY COMPANY**  
Design By: API Drawn By: API Dwg Date: 12/30/99 Scale: 1/8"=1' Job No. 5318-TDS Dwg No. MI-651-A-AC-01 Sheet: 1 Of: 2

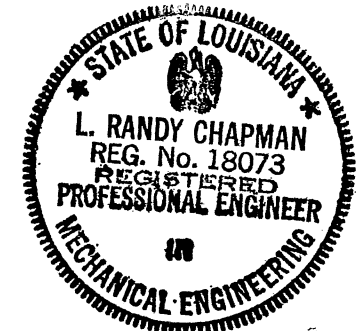
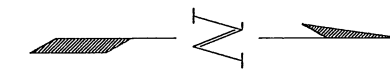
Title: **ELECTRICAL AREA CLASSIFICATION  
MATAGORDA ISLAND BLOCK 651  
PLATFORM "A"  
OCS-G-6045**



CELLAR DECK

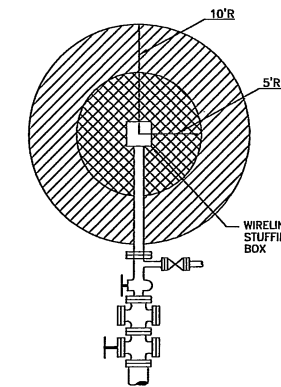


SUMP DECK, INTERMEDIATE LANDING, & BOAT LANDING

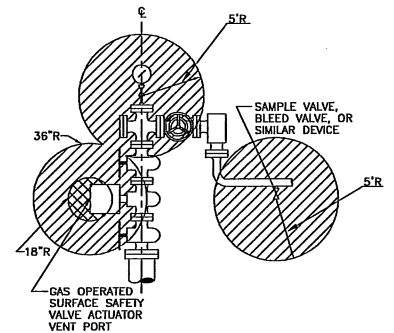


FEB 14 2008

*L. Randy Chapman*



WELL W/WIRELINE WORK DETAIL  
PER API RP 500, SEC. B.5.a.(7)(a) & B.5.a.(7)(b)



FLOWLINE WELL DETAIL  
PER API RP 500, SEC. B.5.a.(1) & B.14.d.(2)

LEGEND

- CLASS I, GROUP D, DIVISION 1
- CLASS I, GROUP D, DIVISION 2
- UNCLASSIFIED AREA

REVISED BY:  
**CHAPMAN CONSULTING, INC.**  
 PROFESSIONALS SERVING THE PETROLEUM INDUSTRY  
 PH: (337) 896-1721 FX: (337) 896-1731

Rev.	Date	Description
2	2/6/08	F.E. REDUCTION/BLDG. & EQUIP O.O.S.
1	12/30/99	PLACE BULK SEPARATOR BACK IN SERVICE

**AMERICAN PNEUMATICS, INC.**  
 218 Hector Connolly Rd.  
 Carencro, LA 70520  
 Phone: (318) 896-9090  
 Fax: (318) 896-9004

Client:  
**MERIT ENERGY COMPANY**  
 Design By: API Drawn By: API Dwg Date: 12/30/99 Scale: 1/8"=1' Job No. 5318-TDS Dwg No. MI-651-A-AC-02 Sheet: 2 Of: 2

Title: **ELECTRICAL AREA CLASSIFICATION MATAGORDA ISLAND BLOCK 651 PLATFORM "A" OCS-G-6045**

NOTE: THIS DRAWING IS THE EXCLUSIVE PROPERTY OF AMERICAN PNEUMATICS, INC. ITS ACCEPTANCE CONSTITUTES AN AGREEMENT THAT IT SHALL BE TREATED AS A STRICTLY CONFIDENTIAL DOCUMENT AND IS NOT TO BE COMMUNICATED, DISCLOSED, OR COPIED WITHOUT THE EXPRESSED PRIOR WRITTEN CONSENT OF AMERICAN PNEUMATICS, INC. REPRODUCTION OF THIS PRINT OR UNAUTHORIZED USE OF PATENTED OR PATENTABLE FEATURES DISCLOSED HEREON IS PROHIBITED.